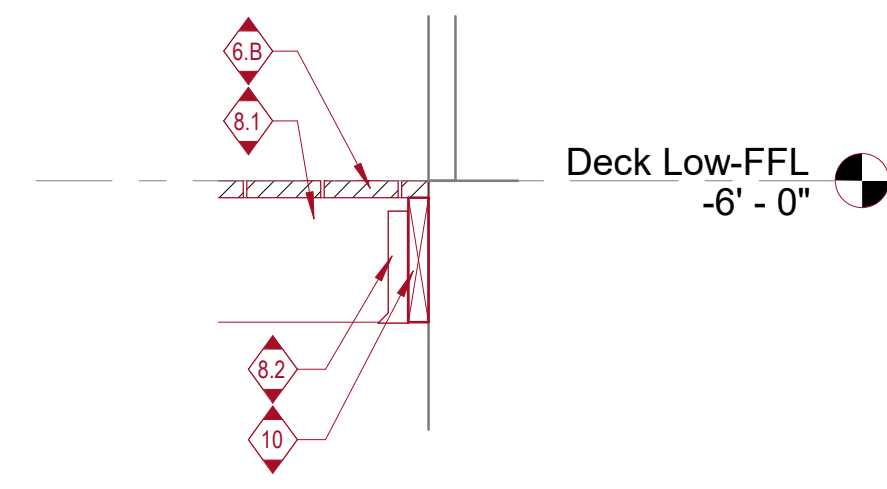
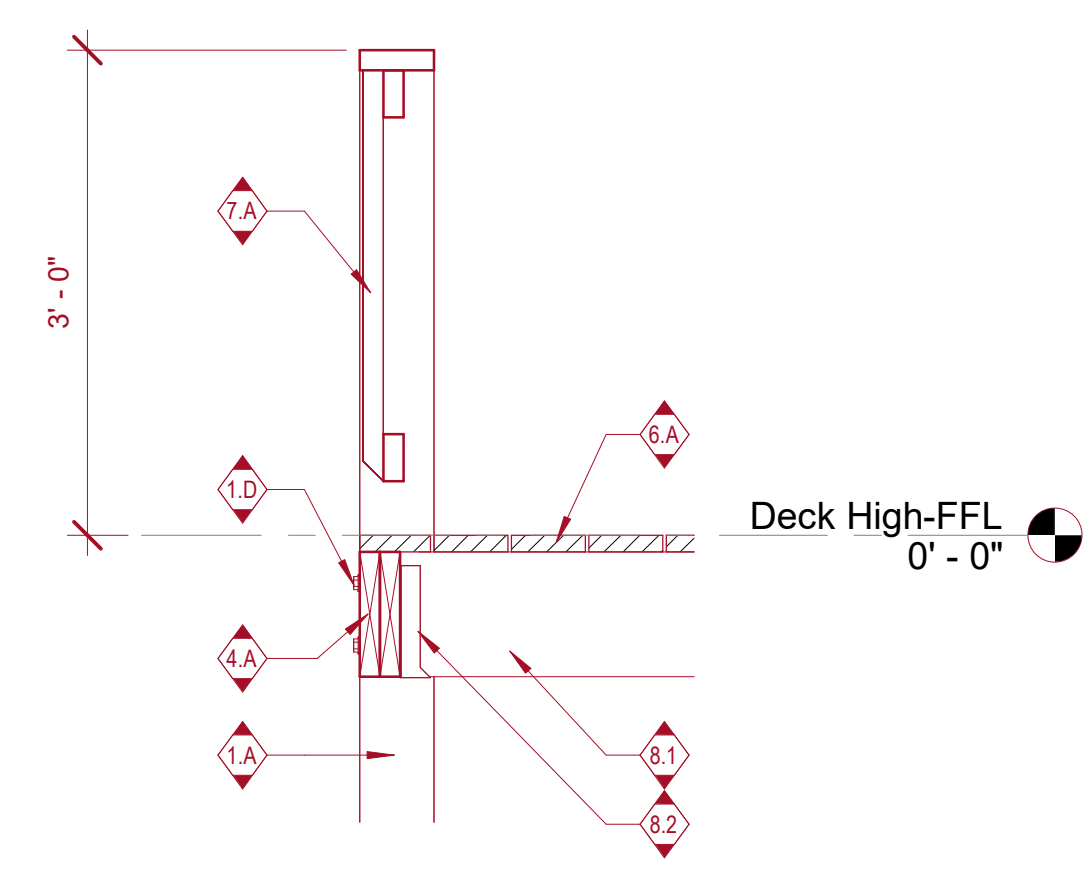


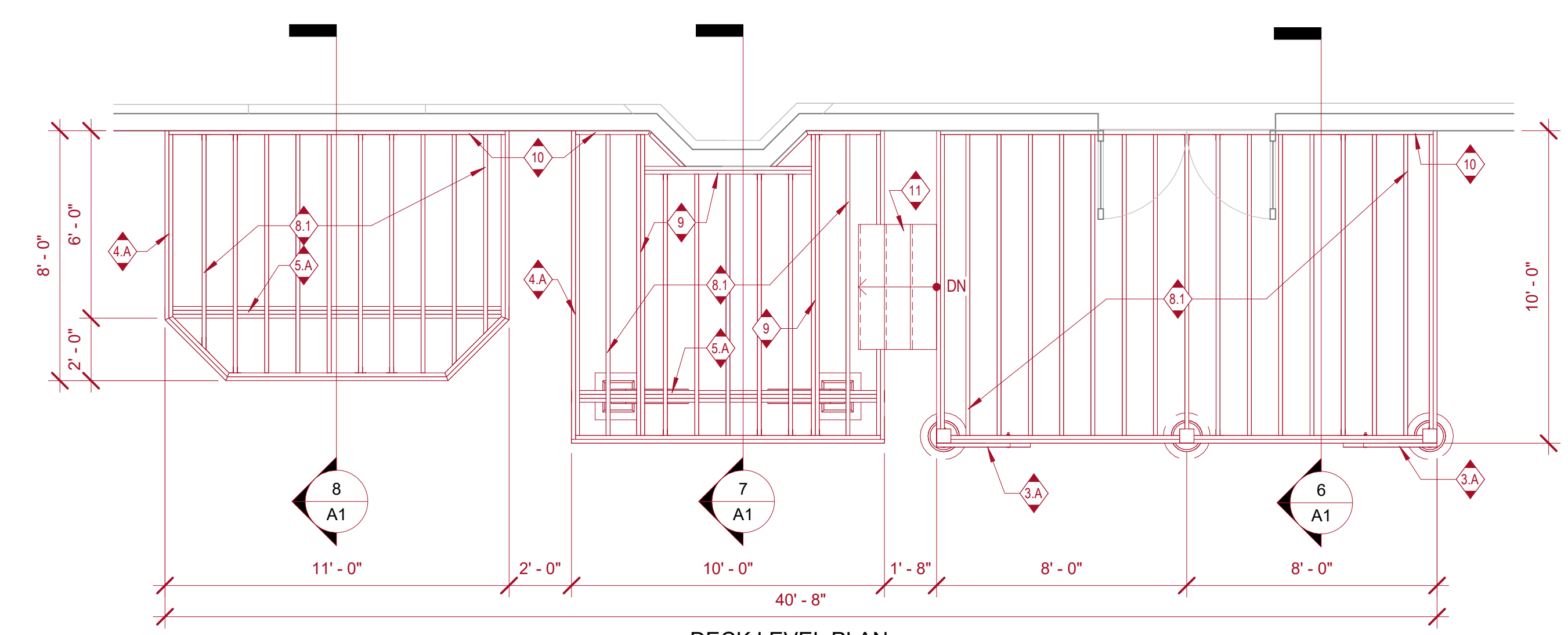
11 TYP. SECTION @ BEAM & GUARDRAIL
3/4" = 1'-0"



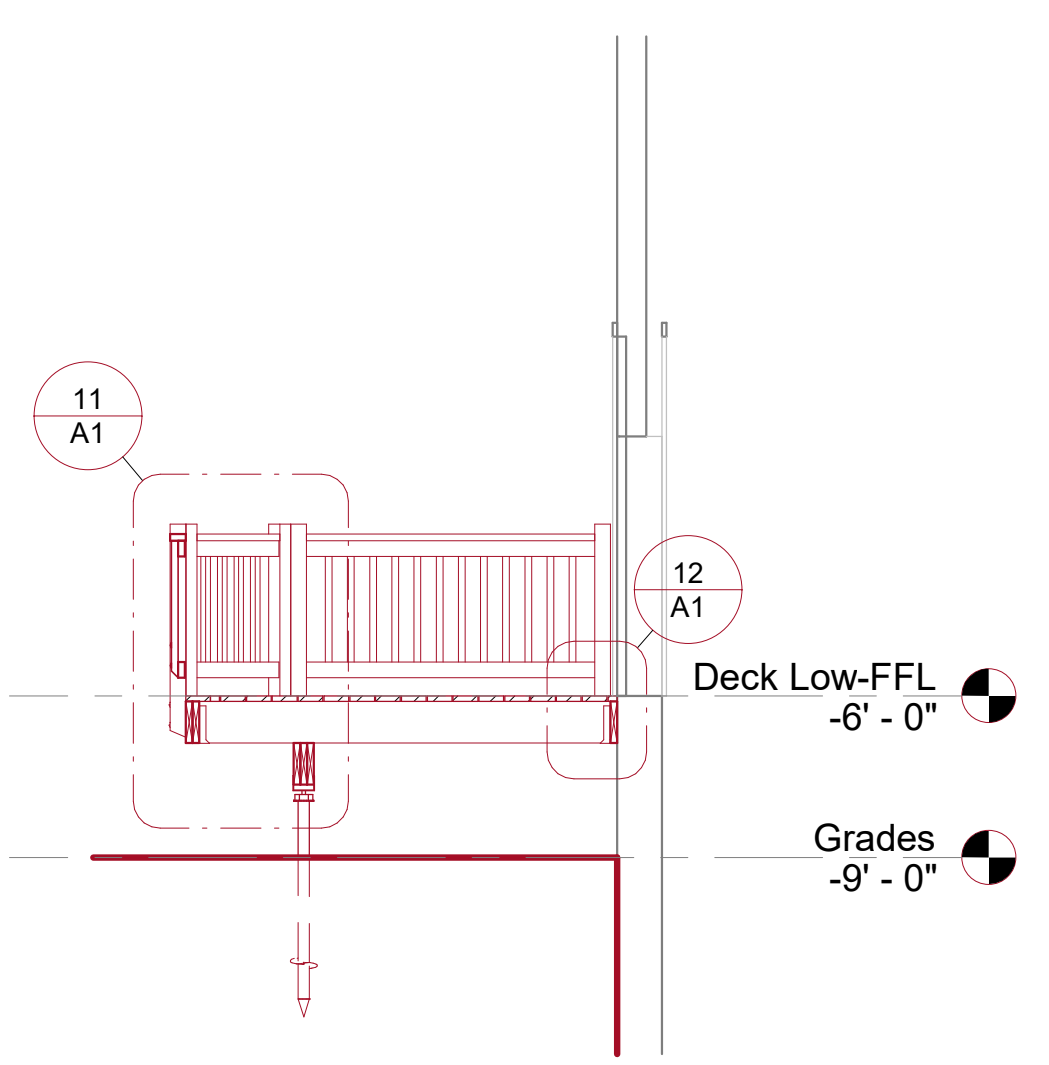
12 TYP. SECTION @ LEDGER BOARD
3/4" = 1'-0"



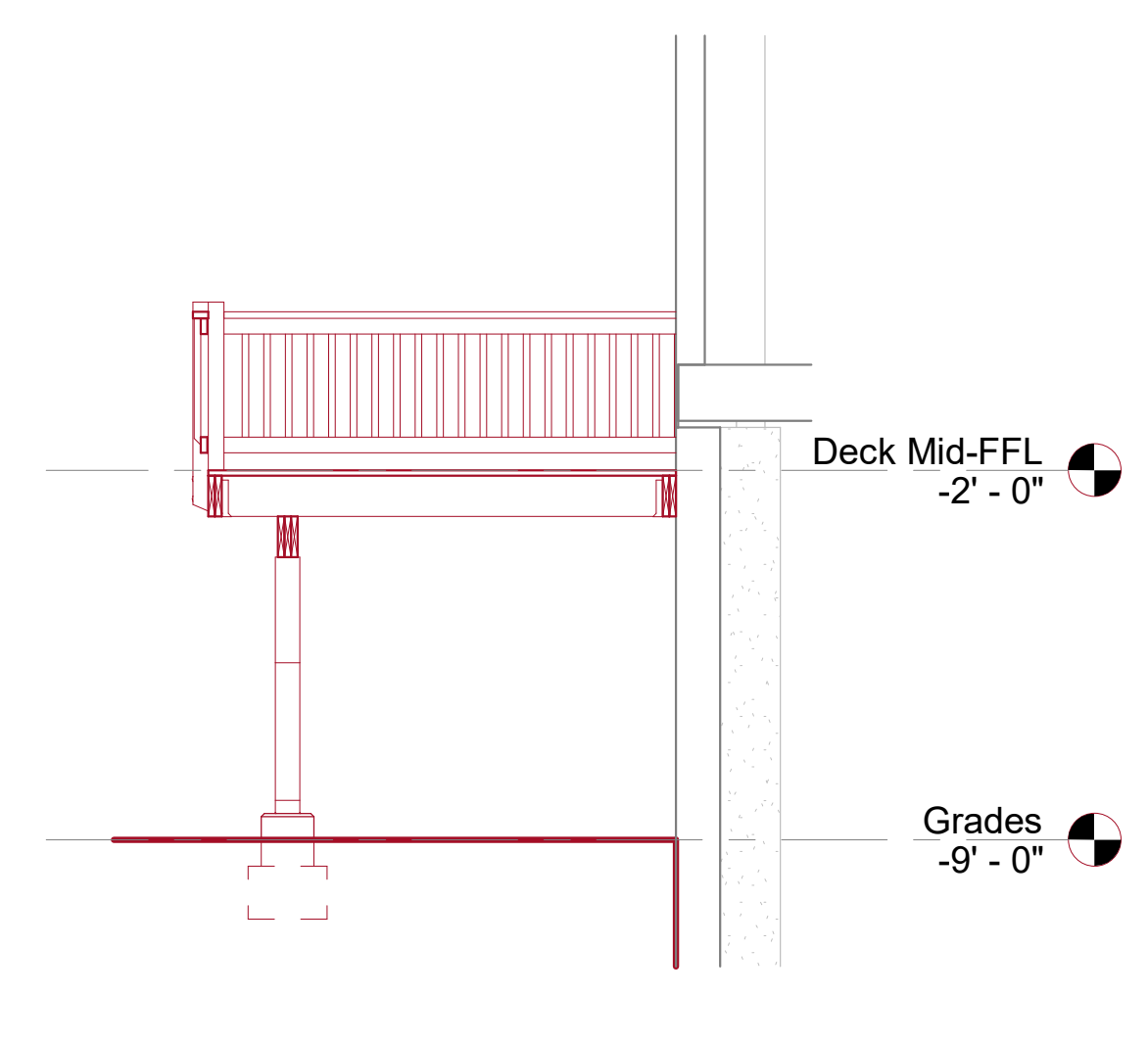
9 TYP. SECTION @ GUARDRAIL
3/4" = 1'-0"



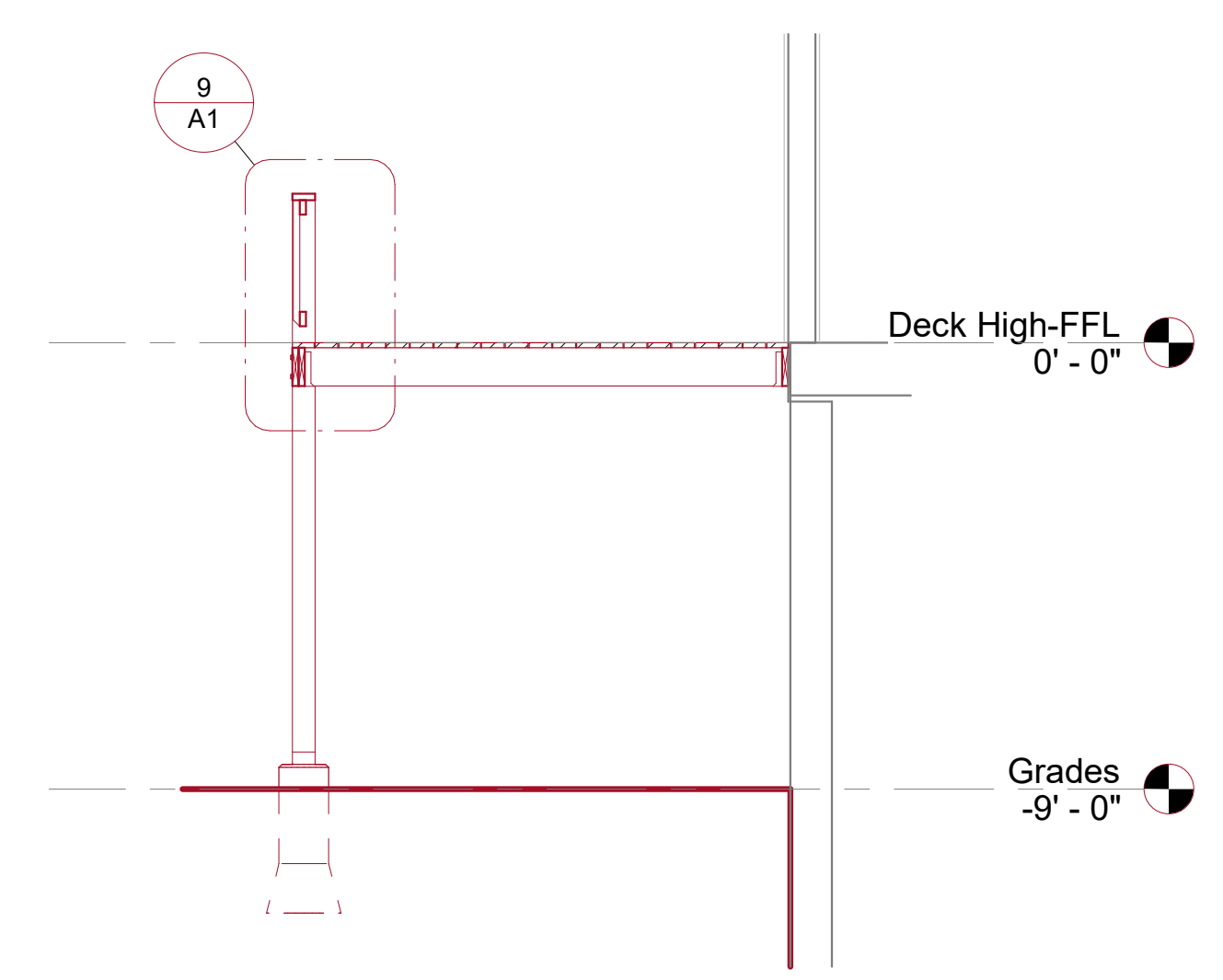
1 DECK LEVEL PLAN
1/4" = 1'-0"



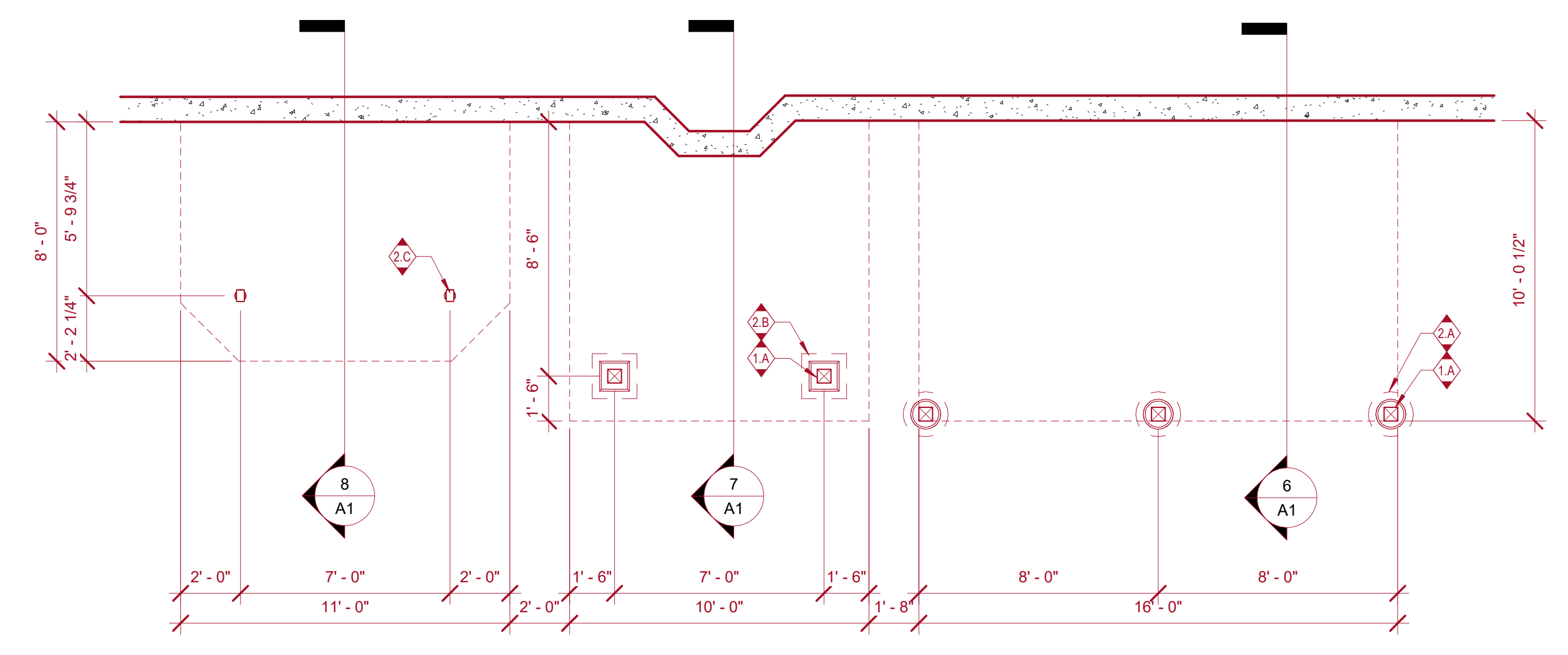
8 SECTION @ DECK LOW
1/4" = 1'-0"



7 SECTION @ DECK-MID
1/4" = 1'-0"

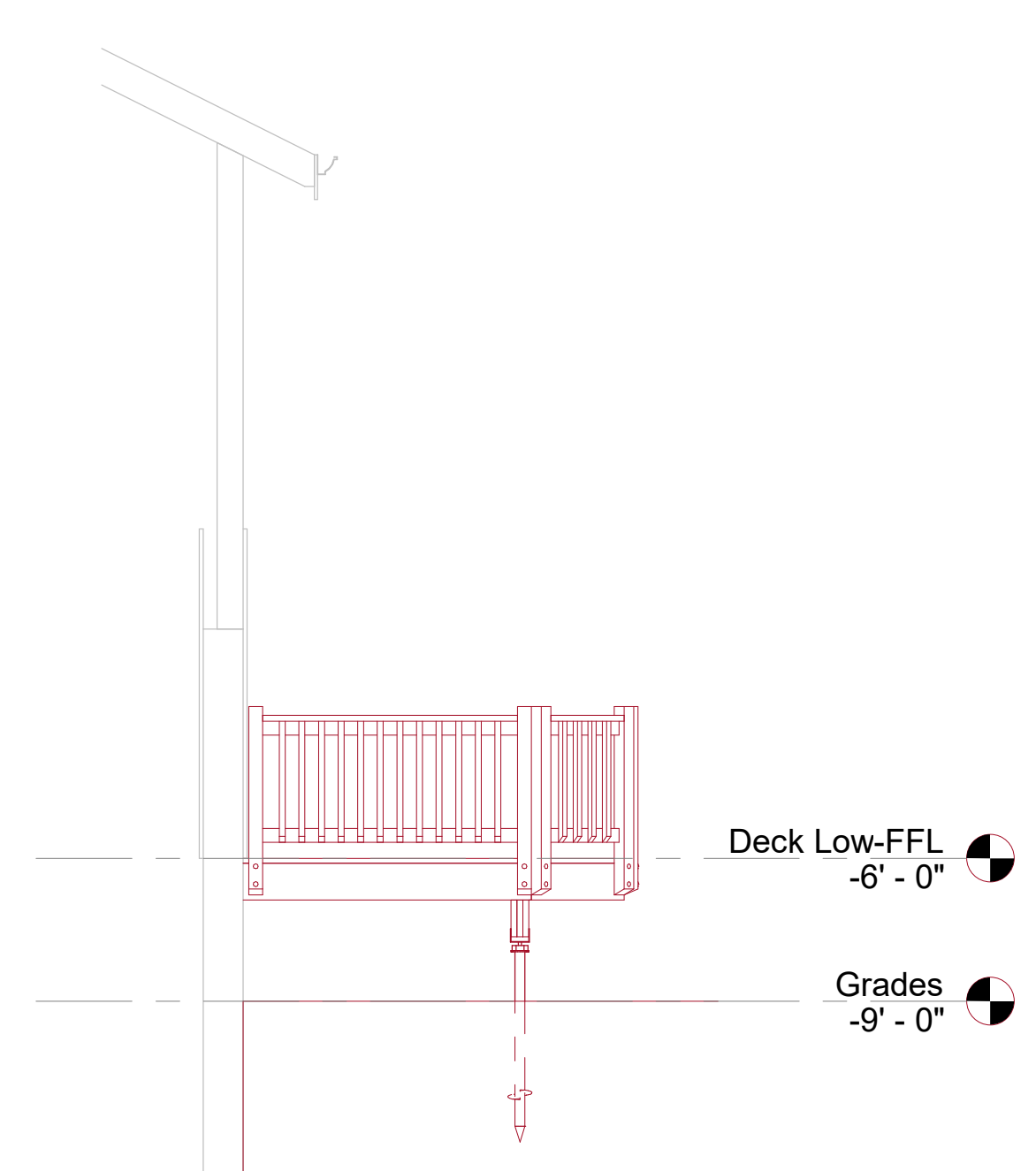


6 SECTION @ DECK-HIGH
1/4" = 1'-0"

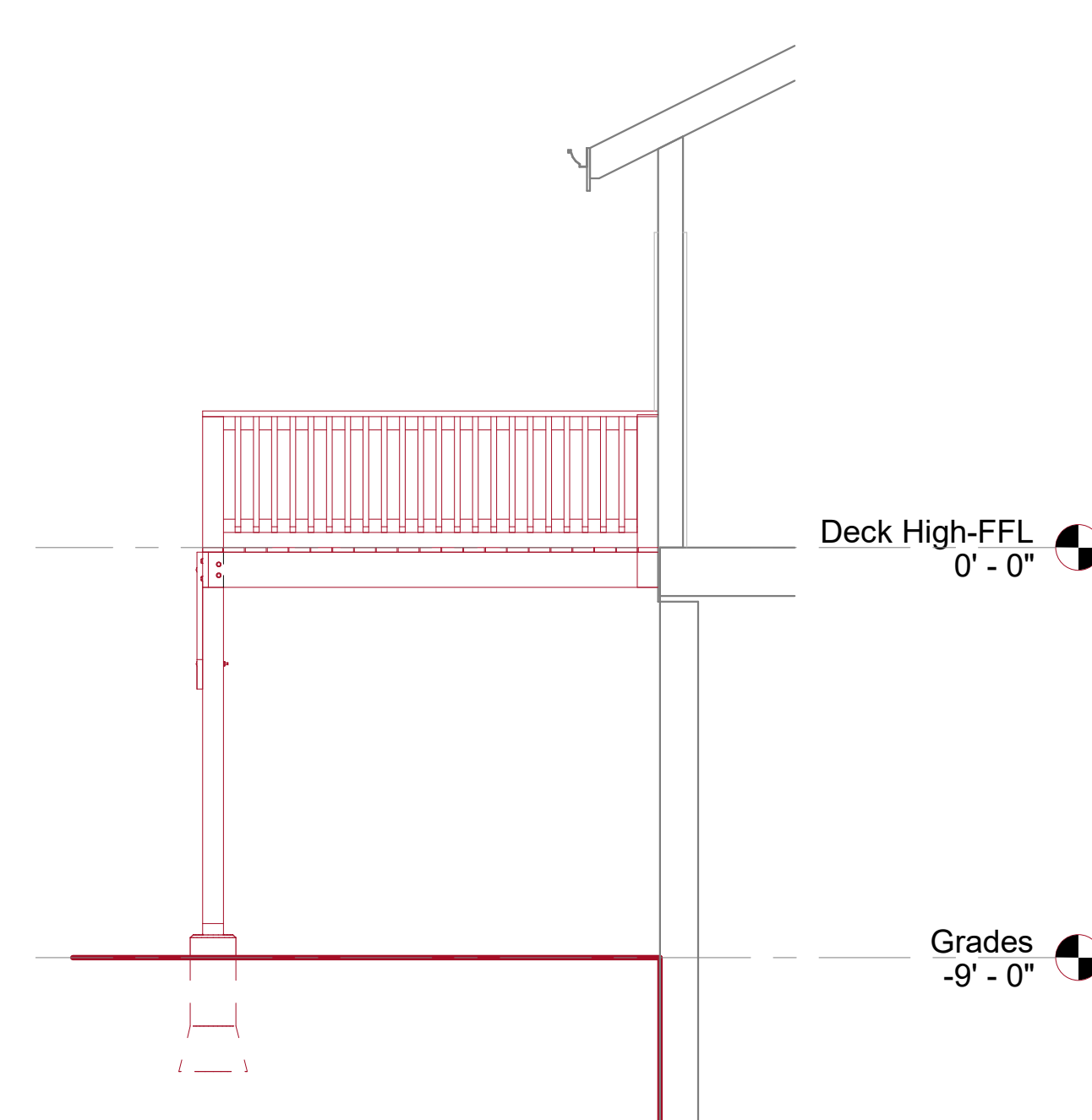


2 PIER LEVEL PLAN
1/4" = 1'-0"

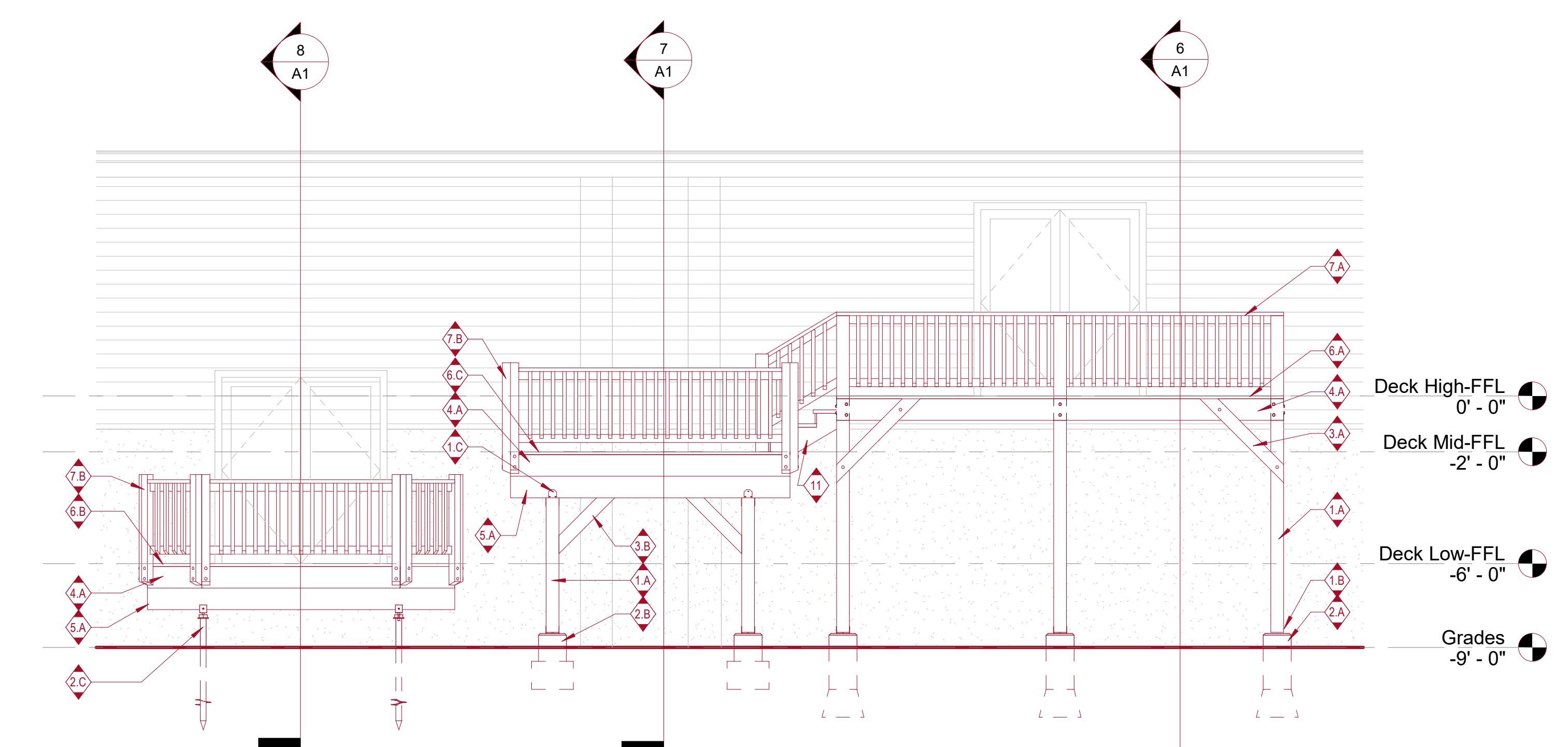
MULTI-CATEGORY DECK FAMILY COLLECTION SCHEDULE	
TYPE MARK	FAMILY AND TYPE
1.A	DK - Post with Top & Base Attachments: 6x6
1.B	HW-Base-Cast-in-place Elevated 1: HW-Base-Cast-in-place Elevated 1
1.C	HW-Top-Post-to-Beam Bracket: HW-Top-Post-to-Beam Bracket
1.D	HW-Top-Notch Single Side: HW-Top-Notch Single Side
2.A	DK - Foundation-Tube with Optional Bell: 12" Dia x 36" Height
2.B	DK - Foundation-Square with Optional Curb & Bell: 18"x18"x12"
2.C	DK - Foundation-Helicle Pile: DK - Foundation-Helicle Pile
3.A	DK - Knee Brace-2x: 2x6
3.B	DK - Knee Brace-Square: 6x6
4.A	DK - Rim Joist-Double: (2)2x10
5.A	DK - Beam-Triple with Optional Spacer: (2)2x10
6.A	DK - Decking-Rectangular: DK - Decking-Rectangular
6.B	DK - Decking-Chamfered: DK - Decking-Chamfered
6.C	Floor: DK - Decking 5/4"x6"
7.A	Railing: EXT - 36" 6x6-Rail & Balusters Only
7.B	Railing: EXT - 36" 4x4-Face Mount-Extended Posts
8.1	DK - Floor Joist-Single: 2x10
8.2	HW-Joist Hanger: HW-Joist Hanger
9	DK - Floor Joist-Double: (2)2x10
10	DK - Ledger-Single: 2x10
11	Assembled Stair: EXT - 7 3/4"R - 10" T Wood - Closed Riser



5 LEFT ELEVATION
1/4" = 1'-0"



4 RIGHT ELEVATION
1/4" = 1'-0"



3 FRONT ELEVATION
1/4" = 1'-0"